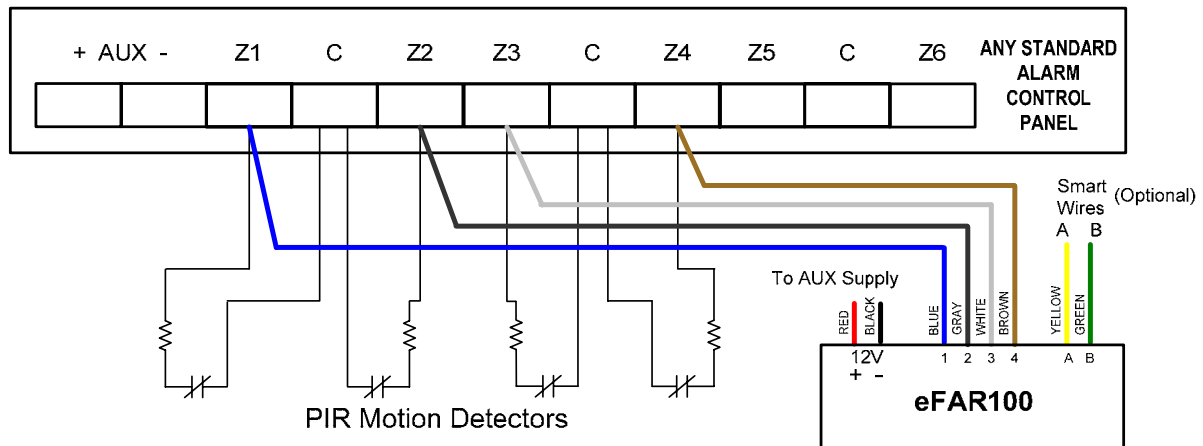


# eFAR100 Electronic False Alarm Reduction Module

## Quick Install Tips

### Typical EOLR (End of Line Resistor) Alarm System Hook Up (Figure #1)

Color Code: + (Red), - (Black), 1 (Blue), 2 (Gray), 3 (White), 4 (Brown), A (Yellow), B (Green)



1. Confirm all Motion Detectors are functional and operating correctly.
  2. Locate Multi-Colored Wire Harness with white Connector (Do not connect to eFAR100 Device)
  3. Connect Red Wire to Positive AUX + 12v and Black Wire to Negative AUX Terminals.
  4. Connect Blue Wire to Zone Terminal together with first Motion Detector
  5. Connect Gray Wire to Zone Terminal together with Second Motion Detector
  6. Connect White Wire to Zone Terminal together with Third Motion Detector
  7. Connect Brown Wire to Zone Terminal together with Forth Motion Detector
- Note:** *if using less than four Zones on eFAR100, protect unused bare wires with Tape or Connectors.*
8. Connect Yellow wire "A" to an unused Zone Terminal for DV operation.(optional)
  9. Connect Green wire "B" to an unused Zone Terminal for DZ operation.(optional)
  10. Connect Wire Harness into eFAR100 Device( Red LED will Flash Rapidly)
  11. Activate all Motion Detectors at least once for eFAR100 Learning Process. (Red LED on Steady indicates completion of auto-learning/Ready State *for other LED Status indications see troubleshooting Guide.*

**Complete Installation by Arming / Confirming Signals with Monitoring Station. If DZ or DV (Diagnostic) Zones are used, Program "DZ" Zones as "AT HOME"/"HOME AWAY" and inform Monitoring Station "DZ" Zone Reporting as LOG ONLY.**

It is recommended, although not required, that power be removed from the alarm system while installing the eFAR100. If the eFAR100 connected to Wire Harness and power is not removed it is important to ensure that the 1-RED (+) power wire is connected last.