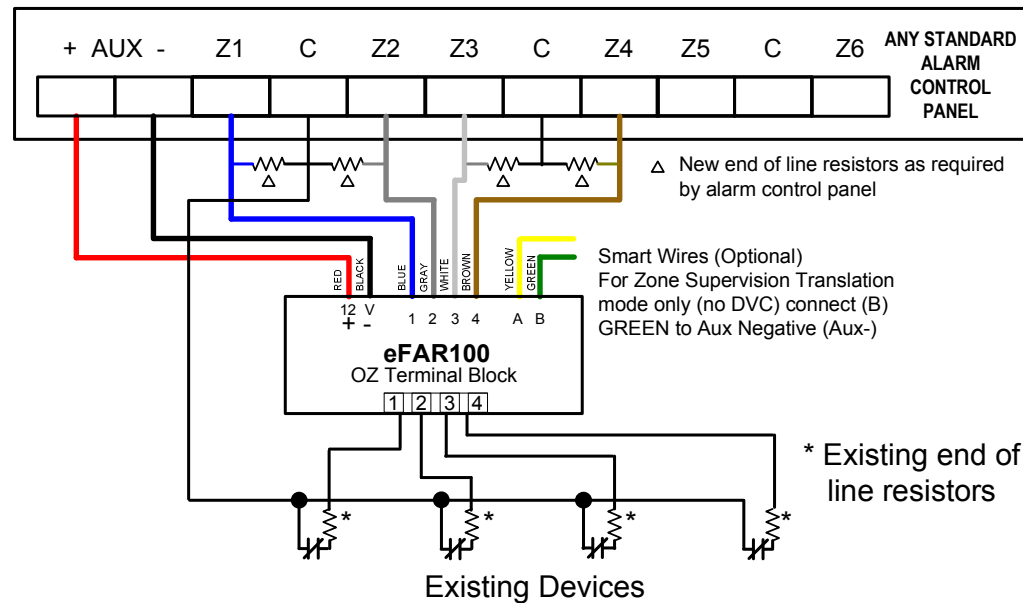


Zone Supervision Translation – Hook Up Diagram **



Automatically detect the value of end-of-line resistors of the existing system / device and translate to new control panel inputs. Reduce labor and remove problems in the case of replacing / upgrading existing security control panel.

** For Installation enhancement only without DVC function